

**Contents**

Applications _____	1
Features _____	1
Options _____	1
Principle _____	1
Standard PE _____	2
Insulated _____	2
Insulated extra high _____	2
Combination summer _____	3
Exploded view standard chimney 35-45 _____	4
Exploded view standard chimney 50-56 _____	5
Exploded view insulated chimney 50-56 _____	6

**Applications**

The Fancom chimney system has been developed as an air passage system for roof constructions in the agricultural sector.

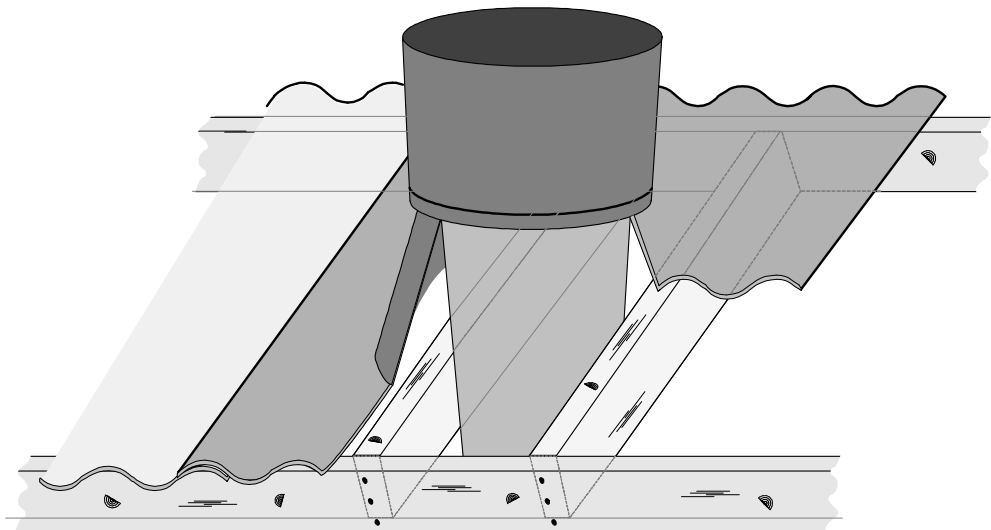
Features

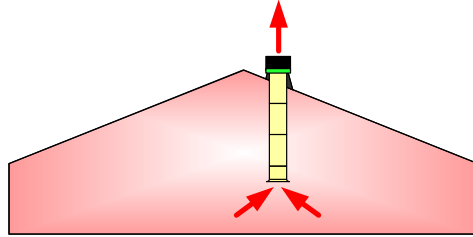
- The rounded chimney shape and roof plate make it easy to set the roof slope.
- The 35-56 chimney system requires rafters.
- No roof soiling thanks to the sophisticated water drainage system.
- Uniform appearance of buildings by using standard dimensions for the rain protection ring and roof plate.

Options

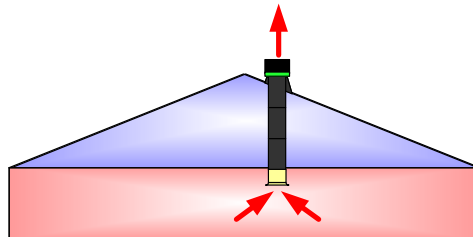
The following options are available:

- 0.5m / 1.6ft and 1.0m / 3.3ft extension ducts
- Backdraft shutter
- Chimney cover
- Air entry cone
- Diaphragm damper
- Air inlet system with bypass module for air mixing

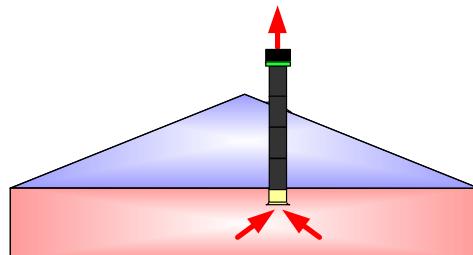
Principle

**Standard PE**

- Fancom PE chimneys for easy installation.
- Upper duct is always conical to increase the flow efficiency (L= 0,93 mtr)
- Standard extension ducts with L = 0,5 or 1 mtr length (single wall) PE.
- Optional available CLICK extension ducts L = 0,5 or 1,0 mtr for diameters 50 and 56 cm to save transport costs.
- Modular chimney element L= 0,5 mtr available for situations where extra stability is needed. Example: passing a ceiling, usage of PUR mounting foam.
- Fancom roof plate.
- Fancom modular fan
- Use of Fancom AT-ATM modules possible
- Optional Back draught shutter.
- Optional manual diaphragm damper.
- Available bypass module for the selection of air extraction from out of manure pit or compartment or a mix.

Insulated

- Insulated chimneys to avoid condensation risks where ducts are passing a cold attic.
- Use of Fancom roof plates or roof seal.
- Fancom modular fan
- Use of Fancom AT-ATM modules possible
- Use of back draught shutter possible
- Optional Back draught shutter.
- Optional manual diaphragm damper.
- Available bypass module for the selection of air extraction from out of manure pit or compartment or a mix.

Insulated extra high

- Extended chimneys due to local situations. Insulated chimneys are used because of extra stability & condensation risks.
- Use of Fancom roof seal.
- Fancom modular fan
- Use of Fancom AT-ATM modules possible
- Use of back draught shutter possible
- Optional manual diaphragm damper.
- Available bypass module for the selection of air extraction from out of manure pit or compartment or a mix.
- Guy rings outside to increase stability.



**Combination
summary**

Part	Standard		Insulated	Insulated extra high
	35-45	50-56	50-56	50-56
Available diameters	35-45	50-56	50-56	50-56
Cover	X	X	X	X
Mesh grid for cover	-	-	-	-
Rain ring + base	X	X	X	X
Roof plate	X	X	X*	-
Roof seal	-	-	X**	X
Conical PE (0,90 mtr)	X	X*	-	-
Conical duct CLICK (0,93 mtr))		X**	-	-
Extension duct PE (0,5/1 mtr)	X	X*	-	-
Extension duct PE CLICK (0,5/1 mtr)		X**	-	-
Duct /extension duct insulated (1 mtr)	-	-	X	X
Insulated air entry cone (PUR)	-	-	X**	X**
Standard air entry cone (PE)	X	X	X*	X*
Back draught shutter (on/off fan)	X	X	X	X
Motor back draught shutter	-	-	-	-
Duct shutter with servo motor	-	-	-	-
Manual diaphragm damper.	X	X	X	X
Bypass for pit extraction	X	X	X	X
AT module (variabel fan)	X	X	X	X
ATM module (variabel fan)	X	X	X	X
Modular fan	X	X	X*	X*
Build in fan	-	-	X**	X**
Protection grid module	X	X	X	X
Mounting set modular fan	X	X	X	X
Drip tray/ light trap	-	-	-	-

When more then one possibility : * = recommended, ** alternative

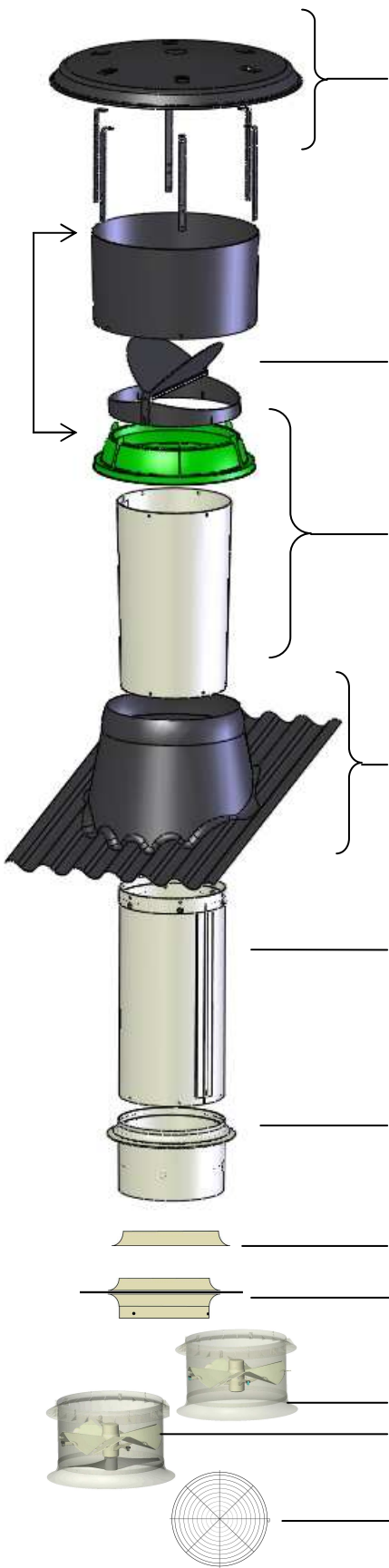


Exploded view standard chimney 35-45

Part	35	40	45
Cover 35/56	A5440060	A5440060	A5440060
Back draught shutter	A5440051	A5440052	A5440053
Chimney set 'standard': rain-ring+base+conical duct 0,9 mtr	A3440038	A3440039	AA3440040
Roof plate corr. 176 35/56 13-27 dg	A1440018	A1440018	A1440018
Roof plate corr. 152 35/56 13-27 dg	A1440020	A1440020	A1440020
Roof plate corr. 146 35/56 13-27 dg	A1440021	A1440021	A1440021
Roof plate corr. 130 35/56 13-27 dg	A1440022	A1440022	A1440022
Roof plate box profile 56 13-27 dg	A1440023	A1440023	A1440023
Roof plate flat 35/56 13-27 dg	A1440024	A1440024	A1440024
Roof plate xxx	on request	on request	on request
Extension duct 0,5 mt	A5440031.05	A5440032.05	A5440033.05
Extension duct 1 mtr	A5440021.05	A5440022.05	A5440023.05
Modular duct 0,5 mtr	A2329001.05	A2329002.05	A2329003.05
Modular fan 1F (1435/40/45)	A4325101	A4325102	A4325103
Modular fan 3F (3435/40/45)	A4324101	A4324102	A4324103
Modular i fan (IF35/40/45)	A4325021	A4325022	A4325023
Mounting set module fan	A3450045	A3450045	A3450045
Standard air entry cone (PE)	A2329006	A2329007	A2329008
Manual diaphragm damper	A5440041	A5440042	A5440042
AT module (variable fan)	A4327011	A4327012	A4327013
ATM module (variable fan)	A4326011	A4326012	A4326013
Protection grid module (SS)	A5312001	A5312002	A5312003



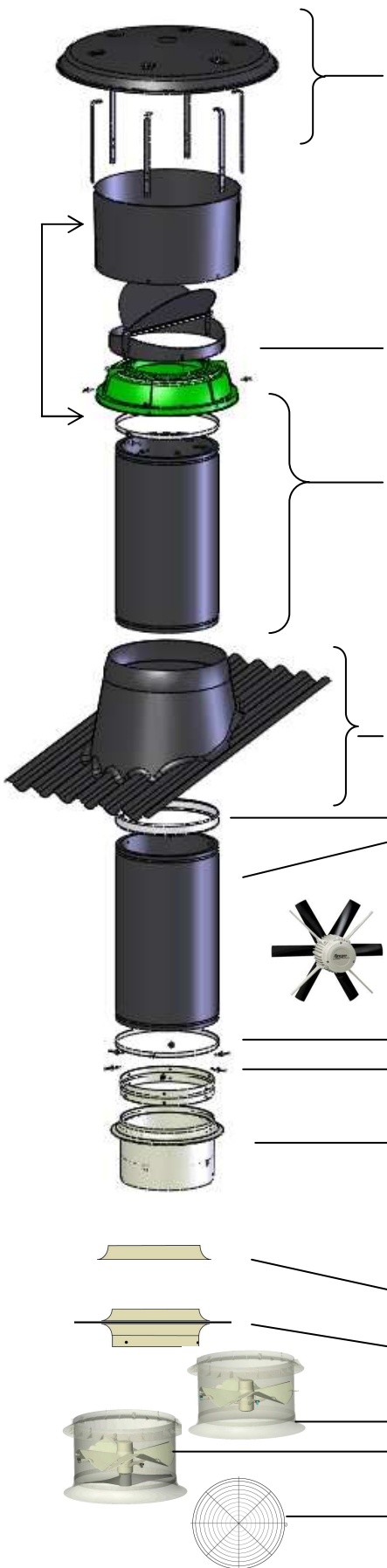
Exploded view standard chimney 50-56



Part	50	56	56 special
Cover 35/56	A5440060	A5440060	
Back draught shutter	A5440054	A5440055	
Chimney set 'standard': rainingring+base+conical duct 0,9 mtr	A3440041	A3440042	
Chimney set 'click': Rainingring+ base+conical click duct 0,9 mtr	A5440304	A5440305	
Roof plate corr. 176 35/56 13-27	A1440018	A1440018	
Roof plate corr. 152 35/56 13-27	A1440020	A1440020	
Roof plate corr. 146 35/56 13-27	A1440021	A1440021	
Roof plate corr. 130 35/56 13-27	A1440022	A1440022	
Roof plate box profile 56 13-27 dq	A1440023	A1440023	
Roof plate flat 35/56 13-27 dq	A1440024	A1440024	
Roof plate xxx	on request	on request	
Extension duct 0,5 mt	A5440034.05	A5440035.05	
Extension duct click 0,5mtr	A5440084.05	A5440085.05	
Modular duct 0,5 mtr	A2329004.05	A2329005.05	
Extension duct 1 mtr	A5440024.05	A5440025.05	
Extension duct click 1 mtr	A5440094.05	A5440095.05	
Modular fan 1F (1450/1456/1656)	A4325104	A4325105	A4325115
Modular fan 3F (3450/3456/3656)	A4324104	A4324105	A4324115
Modular i fan (IF50/56)	A4325024	A4325025	
Mounting set module fan	A3450045	A3450045	
Standard air entry cone (PE)	A2329009	A2329010	
Manual diaphragm damper	A5440044	A5440045	
AT module (variable fan)	A4327014	A4327015	
ATM module (variable fan)	A4326014	A4326015	
Protection grid module (SS)	A5312004	A5312005	



Exploded view insulated chimney 50-56



Part	50	56	56 special
Cover 35/56	A5440060	A5440060	
Back draught shutter	A5440054	A5440055	
Chimney set 'ISO': : Raining + base + insulated PUR duct 1 mtr + tightening ring+6x plug	A5440413	A5440414	
Roof plate corr. 176 35/56 13-27	A1440018	A1440018	
Roof plate corr. 152 35/56 13-27	A1440020	A1440020	
Roof plate corr. 146 35/56 13-27	A1440021	A1440021	
Roof plate corr. 130 35/56 13-27	A1440022	A1440022	
Roof plate box profile 56 13-27 dq	A1440023	A1440023	
Roof plate flat 35/56 13-27 dq	A1440024	A1440024	
Roof plate xxx	on request	on request	
Tightening ring 45 mm SS	A4409075	A4409076	
Duct half shell insulated 1 mtr	2xA4440024	2xA4440025	
Build in fan 1F (1450/1456)	A5300104	A5300105	
Build in fan 1F (1450P/1656)	A5300134	A5300115	
Build in fan 3F (3450/3456/3656)	A5301104	A5301105	A5301115
Build in i fan (IF50/56)	A5300032	A5300033	
Tightening ring 25 mm SS +6xplug	A4409070.05	A4409071.05	
Connection ring insulated-	A4440084	A4440085	
Modular fan 1F (1450/1456/1656)	A4325104	A4325105	A4325115
Modular fan 3F (3450/3456/3656)	A4324104	A4324105	A4324115
Modular i fan (IF50/56)	A4325024	A4325025	
Mounting set module fan	A3450045	A3450045	
Standard air entry cone (PE)	A2329009	A2329010	
Manual diaphragm damper	A5440044	A5440045	
AT module (variable fan)	A4327014	A4327015	
ATM module (variable fan)	A4326014	A4326015	
Protection grid module (SS)	A5312004	A5312005	