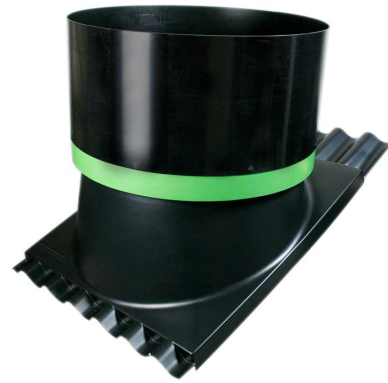




Contents

Application _____ 1
 Features _____ 1
 Application _____ 1
 Standard _____ 2
 Insulated _____ 2
 Insulated extra high _____ 2
 Airinlet _____ 2
 Airinlet & mixing _____ 2
 Combination summerly _____ 3
 Exploded view standard chimney _____ 4
 Exploded view insulated chimney _____ 5
 Exploded view extended chimney _____ 6
 Exploded view airinlet chimney _____ 7
 Exploded view air inlet & mix chimney _____ 8



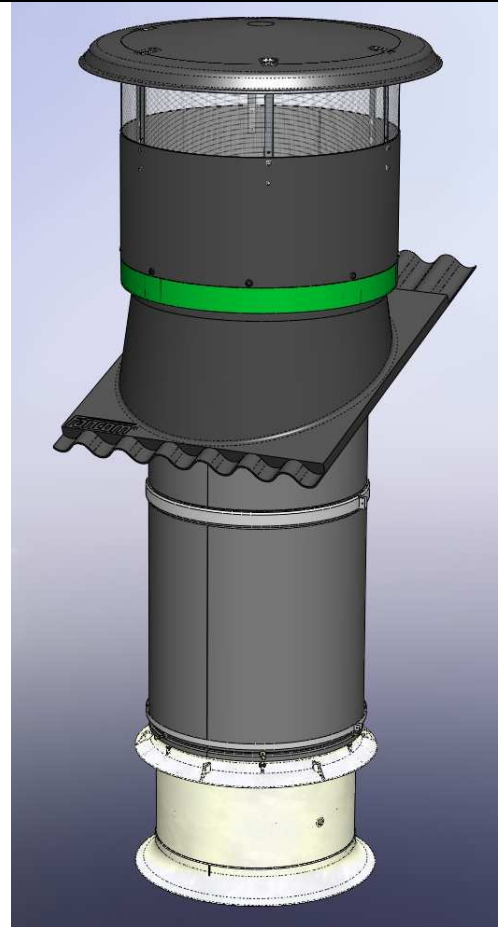
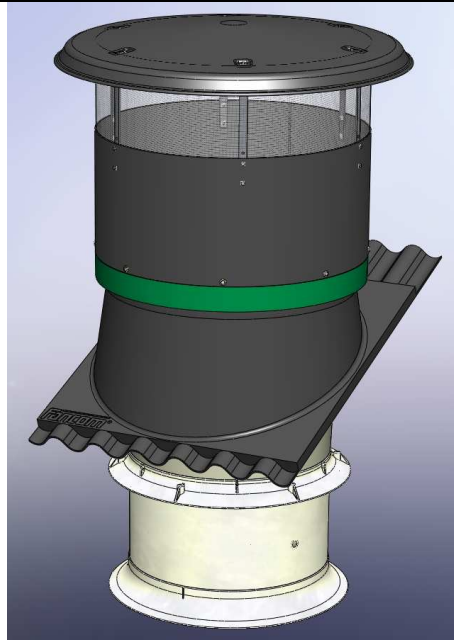
Application

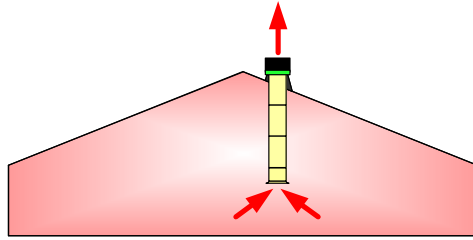
The Fancom chimney system has been designed to enable the passage of air through roof constructions in the agricultural sector.

Features

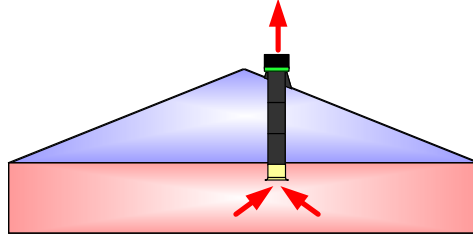
- The rounded shape of the chimney and the roof plate enable easy setting of the roof slope.
- The chimney system 63-80 does not require rafters.
- The fan module mounted underneath the chimney must be attached to the roof construction using bracing wires or chains. The fan module has four suspension eyes for this purpose.
- Uniform appearance of the buildings thanks to the standard dimensions of the rain ring and the roof plate.

Application

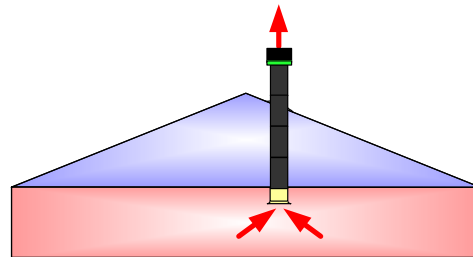


**Standard**

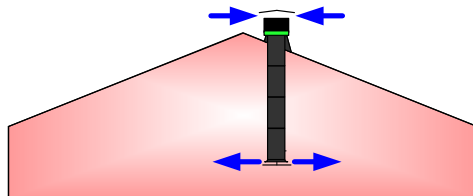
- Fancom CLICK chimneys for easy installation and decrease of logistic costs.
- Upper CLICK duct is always conical to increase the flow efficiency (L= 0,93 mtr)
- CLICK extension ducts are always standard models with L = 0,5 or 1,0 mtr.
- Use of Fancom roof plates.
- Fancom modular fan
- Use of Fancom AT-ATM modules possible
- Use of back draught shutter possible

Insulated

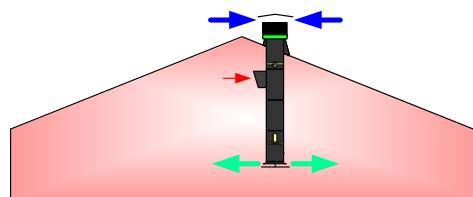
- Insulated chimneys to avoid condensation risks where ducts are passing a cold attic.
- Use of Fancom roof plates or roof seal.
- Fancom modular fan
- Use of Fancom AT-ATM modules possible
- Use of back draught shutter possible

Insulated extra high

- Extended chimneys due to local situations. Insulated chimneys are used because of extra stability & condensation risks.
- Use of Fancom roof seal.
- Fancom modular fan
- Use of Fancom AT-ATM modules possible
- Use of back draught shutter possible
- Guy rings outside to increase stability.

Airinlet

- Air inlet system.
- Insulated chimneys to avoid condensation on the outside of the chimney.
- Use of Fancom roof plates or roof seal.
- System equipped with automatic adjustable diffuser plate.

Airinlet & mixing

- Air inlet & mixing system
- Fancom build in fan model for mixing incoming and internal air.
- Adjustable amount of fresh air intake with valve or Fancom AT-ATM module.
- Insulated bypass section for automatic mixing of hot air from the ridge when air inlet valve is only partly opened.
- Minimum ventilation very good to control.
- No negative pressure needed to mix the cold incoming air correctly.
- Very good system for cold areas.

Combination
summary

Part	Standard	Insulated	Insulated extra high	Air inlet	Airinlet & mixing
Cover	X	X	X	X	X
Mesh grid for cover	-	-	-	X	X
Rain ring + base	X	X	X	X	X
Roof plate	X	X*	-	X*	X*
Roof seal	-	X**	X	X**	X**
Conical duct CLICK (0,93 mtr)	X	-	-	-	-
Extension duct CLICK (0,5/1 mtr)	X	-	-	-	X**
Insulated duct (1 mtr)	-	X	X	X	X*
Insulated bypass (1mtr)	-	-	-	-	X
Insulated air entry cone (PUR)	-	X**	X**	X	X
Standard air entry cone (PE)	X	X*	X*	-	-
Back draught shutter (on/off fan)	X	X	X	-	-
Motor back draught shutter (var. fan)	X	X	X	-	-
Duct shutter with servo motor	-	-	-	-	X**
AT module (variabel fan)	X	X	X	-	X*
ATM module (variabel fan)	X	X	X	-	X*
Modular fan	X	X*	X*	-	X**
Build in fan	-	X**	X**	-	X*
Protection grid module	X	X	X	-	-
Mounting set modular fan	X	X	X	-	X
Drip tray/ light trap	X	X	X	-	-

When more then one possibility : * = recommended, ** alternative

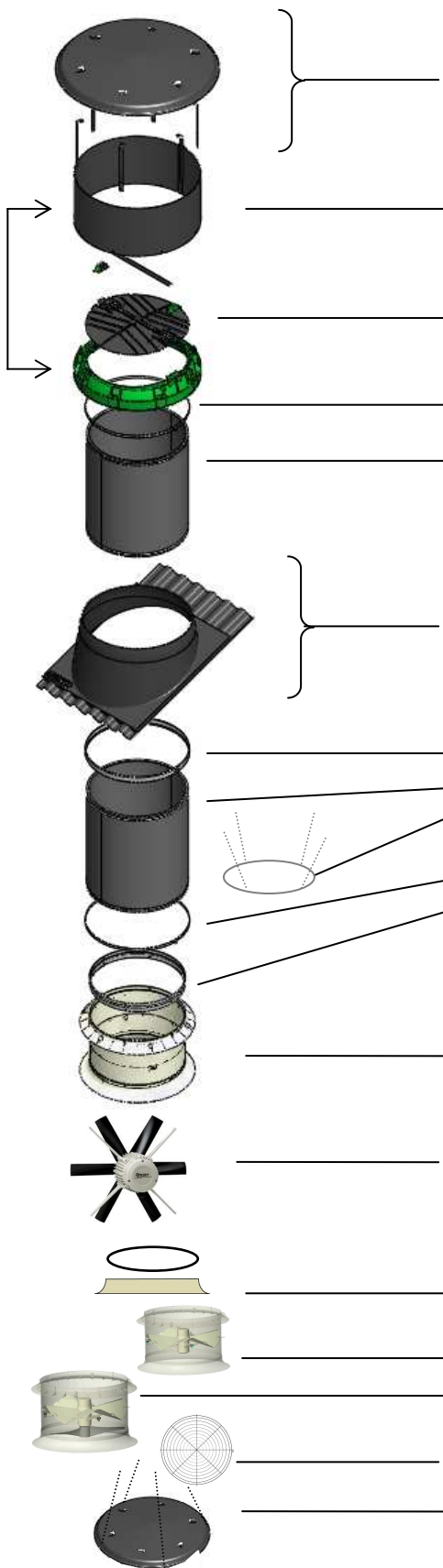


Exploded view standard chimney

Part	63	80
Cover 63/80	A5440283	A5440283
Rainring + base	A5440206	A5440207
Back draught shutter (on/off fan)	A5440296	A5440297
Back draught shutter motor (var. fan)	A5440299	A5440299
Conical duct CLICK 0,93 mtr	A5440216.05	A5440217.05
Roof plate flat 63/80 13-27 degr.	A1440090	A1440090
Roof plate corr. 176 63/80 13-27 degr.	A1440091	A1440091
Roof plate xxx	on request	on request
Extension duct CLICK 0,5 mt	A5440087.05	A5440089.05
Extension duct CLICK 1 mtr	A5440097.05	A5440099.05
Modular fan 1F (1463/1680)	A4322130	A4322133
Modular fan 3F (3663/3680)	A4322141	A4322143
Modular i fan (IF63/IF80)	A4322172	A4322173
Mounting set module fan	A3450045	A3450045
Standard air entry cone (PE)	A2329031	A2329032
AT module (variable fan)	A4327111	A4327113
ATM module (variable fan)	A4326101	A4326103
Protection grid module (SS)	A4312011.05	A4312013.05
Drip tray set chimney 63/80	A5440285	A5440285



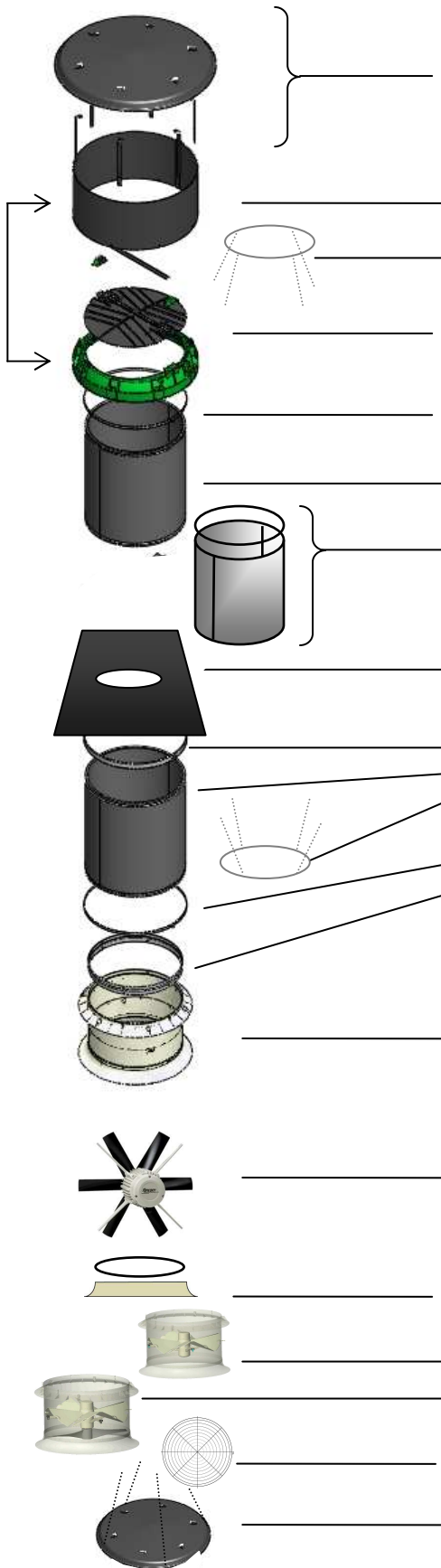
Exploded view insulated chimney



Part	63	80
Cover 63/80	A5440283	A5440283
Rainring + base	A5440206	A5440207
Back draught shutter (on/off fan)	A5440296	A5440297
Back draught shutter motor (var. fan)	A5440299	A5440299
Tightening ring 25 mm SS + 8xplug	A4409048.05	A4409050.05
Duct half shell insulated 1 mtr PUR	2x A4440026	2x A4440027
Roof plate flat 63/80 13-27 degr.	A1440090	A1440090
Roof plate corr. 176 63/80 13-27 degr.	A1440091	A1440091
Roof plate xxx	on request	on request
Roof seal	A4409055	A4409056
Kit for roof seal	A4409057	A4409057
Tightening ring 45 mm SS	A4409049	A4409051
Duct half shell insulated 1 mtr PUR	2xA4440026	2xA4440027
Guy ring set for insulated chimneys	A4409061	A4409062
Tightening ring 25 mm SS + 8xplug	A4409048.05	A4409050.05
Connection ring insulated-standard	A4440086	A4440087
Modular fan 1F (1463/1680)	A4322130	A4322133
Modular fan 3F (3663/3680)	A4322141	A4322143
Modular i fan (IF63/IF80)	A4322172	A4322173
Mounting set module fan	A3450045	A3450045
Standard air entry cone (PE)	A2329031	A2329032
Build in fan 1F (1463/1680)	A5300000	A5300004
Build in fan 3F (3663/3680)	A5301002	A5301004
Build in i fan (IF63/IF80)	A5300036	A5300033
Tightening ring 45 mm SS	A4409049	A4409051
Insulated air entry cone (PUR)	A4440066	A4440067
AT module (variable fan)	A4327111	A4327113
ATM module (variable fan)	A4326101	A4326103
Protection grid module (SS)	A4312011.05	A4312013.05
Drip tray set chimney 63/80	A5440285	A5440285



Exploded view extended chimney



Part	63	80
Cover 63/80	A5440283	A5440283
Rainring + base	A5440206	A5440207
Guy ring set for insulated chimneys	A4409061	A4409062
Back draught shutter (on/off fan)	A5440296	A5440297
Back draught shutter motor (var. fan)	A5440299	A5440299
Tightening ring 25 mm RVS + 8xplug	A4409048.05	A4409050.05
Duct half shell insulated 1 mtr PUR	2x A4440026	2x A4440027
Tightening ring 45 mm SS	A4409049	A4409051
Duct half shell insulated 1 mtr PUR	2x A4440026	2x A4440027
Roof seal	A4409055	A4409056
Kit for roof seal	A4409057	A4409057
Tightening ring 45 mm SS	A4409049	A4409051
Duct half shell insulated 1 mtr PUR	2x A4440026	2x A4440027
Guy ring set for insulated chimneys	A4409061	A4409062
Tightening ring 25 mm SS + 8xplug	A4409048.05	A4409050.05
Connection ring insulated-standard	A4440086	A4440087
Modular fan 1F (1463/1680)	A4322130	A4322133
Modular fan 3F (3663/3680)	A4322141	A4322143
Modular i fan (IF63/IF80)	A4322172	A4322173
Mounting set module fan	A3450045	A3450045
Standard air entry cone (PE)	A2329031	A2329032
Build in fan 1F (1463/1680)	A5300000	A5300004
Build in fan 3F (3663/3680)	A5301002	A5301004
Build in i fan (IF63/IF80)	A5300036	A5300033
Tightening ring 45 mm SS	A4409049	A4409051
Insulated air entry cone (PUR)	A4440066	A4440067
AT module (variable fan)	A4327111	A4327113
ATM module (variable fan)	A4326101	A4326103
Protection grid module (SS)	A4312011.05	A4312013.05
Drip tray set chimney 63/80	A5440285	A5440285

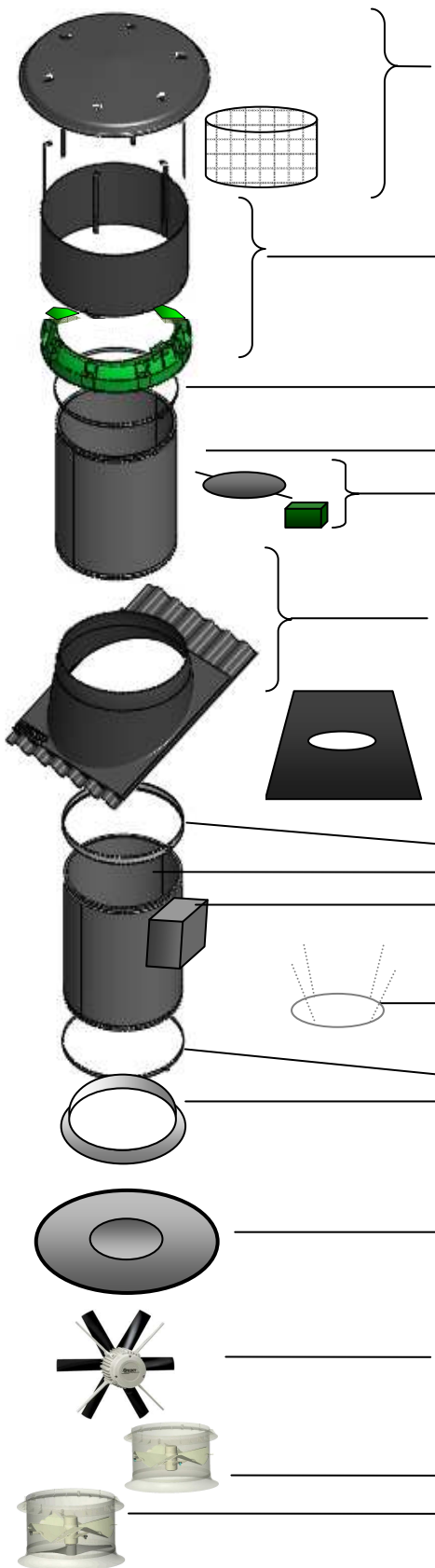


Exploded view airinlet chimney

Part	63	80
Cover 63/80	A5440283	A5440283
Mesh grid for cover 63/80	A5440284	A5440284
Rainring + base	A5440206	A5440207
Tightening ring 25 mm RVS + 8xplug	A4409048.05	A4409050.05
Duct half shell insulated 1 mtr PUR	2x A4440026	2x A4440027
Roof plate flat 63/80 13-27 degr.	A1440090	A1440090
Roof plate corr. 176 63/80 13-27 degr.	A1440091	A1440091
Roof plate xxx	on request	on request
Roof seal	A4409055	A4409056
Kit for roof seal	A4409057	A4409057
Tightening ring 45 mm SS	A4409049	A4409051
Duct half shell insulated 1 mtr PUR	2xA4440026	2xA4440027
Guy ring set for insulated chimneys	A4409061	A4409062
Tightening ring 45 mm SS	A4409049	A4409051
Insulated air entry cone (PUR)	A4440066	A4440067
Diffuser plate insulated	A4440071	A4440072
Operating set diffuser plate	A4409059	A4409060
Motor for central operation	LM xx	LM xx



Exploded view air inlet & mix chimney



Part	63
Cover 63/80	A5440283
Mesh grid for cover 63/80	A5440284
Rainring + base	A5440206
Tightening ring 25 mm RVS + 8xplug	A4409048.05
Duct half shell insulated 1 mtr PUR	2x A4440026
Shutter 63 ISO	A4440089
Shutter set with shaft 63 ISO	A4440090
Servomotor 24 VAC/DC 0-10V	A1339001/...4
Roof plate flat 63/80 13-27 degr.	A1440090
Roof plate corr. 176 63/80 13-27 degr.	A1440091
Roof plate xxx	on request
Roof seal	A4409055
Kit for roof seal	A4409057
Spanbandset 45 mm RVS	A4409049
Koker halveschaal geisoleerd 1 mtr	1xA4440026
Koker bypass geisoleerd 1 mtr	1xA4440088
Tui ringen voor stabiliteit	A4409061
Tightening ring 45 mm SS	A4409049
Insulated air entry cone (PUR)	A4440066
Diffuser plate insulated	A4440071
Suspension set diffuser plate	A4440073
Build in fan 1F (1463/1680)	A5300000
Build in fan 3F (3663/3680)	A5301002
Tightening ring 25 mm RVS + 8xplug	2x A4409048.05
Connection ring insulated-standard	2x A4440086
AT module	A4327111
ATM module	A4326101